

## Motor for indoor installation

Hoods accessories

Code: 2459 941

An external element of the hood, it is a basic requirement for operation



### DETAILS

Air flow rate 600 CFM

---

Pressure 680 Pa

---

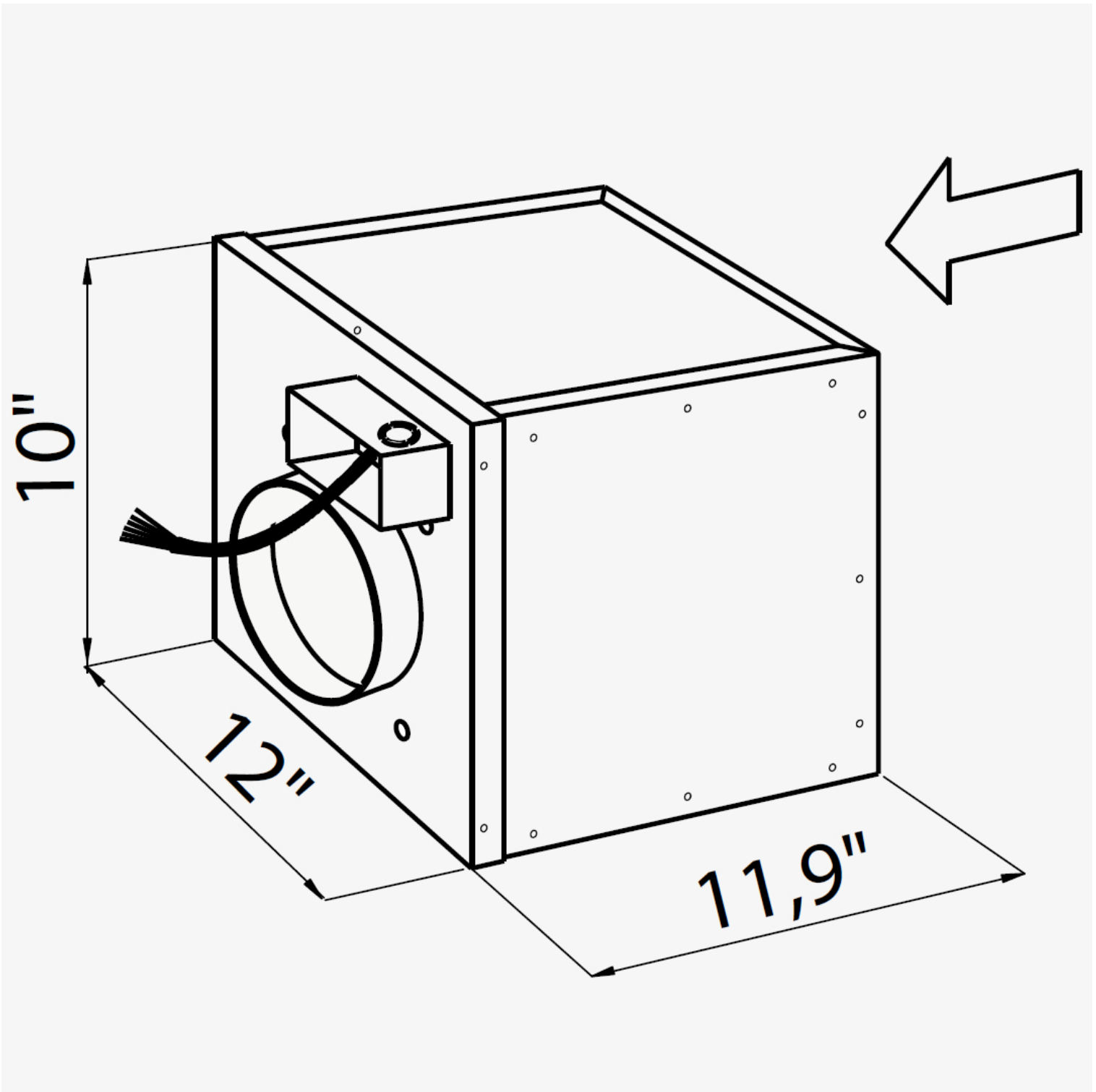
Noise level 64 dBA

---

Air Inlet  $\varnothing 5 \frac{29}{32}$ " round

---

## TECHNICAL DATA



## RECOMMENDED PAIRINGS



**Fly Hood 44"**  
2459 921



**Fly Hood 60"**  
2459 911



**Ghost Hood 48"**  
2451 947